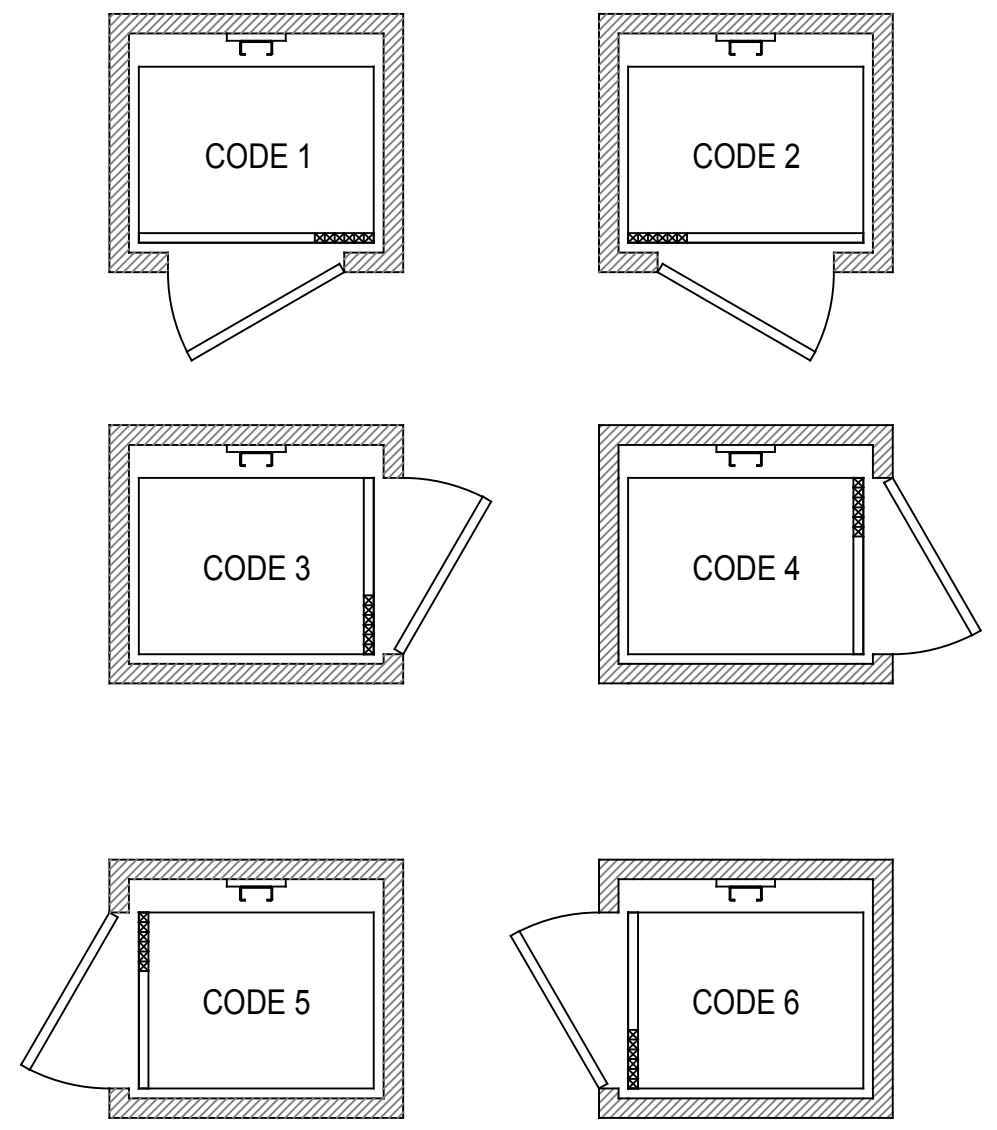


REVISIONS				
REV	DATE	ECN	DESCRIPTION OF CHANGE	BY
B	2/1/21	1003	Revised Codes 3 & 4 config.	BWW
C	2/11/21	1003	Added Pass Thru Cab Code 4,5 or 3,6	BWW
D	3/25/21	1003	Revised Pass Thru cabs – Was shown with LH Drive Assembly; Added Page 2	BWW

NOTE:

- FOR THE OHCD ELEVATOR WITH SUMITOMO GEARMOTOR ONLY.
- THESE DRAWINGS SHOW THE MINIMUM SHAFT DEPTH AND WIDTH ALLOWED BASED ON GATE CODE AND GATE OPERATOR.
- WITH SMALLER SHAFTS, THE CAB MAY NEED TO BE OFFSET ON THE PLATFORM FRAME. THE AMOUNT OF OFFSET, AT THE CAB MINIMUM WIDTH, IS SHOWN ON THE DRAWING. THE RELATED TABLE SHOWS THE CAB OFFSET VERSUS CAB WIDTH IN 1/2" INCREMENTS.
- MINIMUM OVERHEAD = CAB INSIDE HEIGHT + 25".
- REFER TO PAGE 2 FOR DRAWINGS ① THRU ⑥.
 DRAWING ① SHOWS SINGLE OPENING GATE CODES 1 OR 2, WITH OR W/O GATE OPERATOR.
 DRAWING ② SHOWS SINGLE OPENING GATE CODES 3 OR 4 WITH GATE OPERATORS.
 DRAWING ③ SHOWS SINGLE OPENING GATE CODES 3 OR 4 WITHOUT GATE OPERATOR.
 DRAWING ④ SHOWS SINGLE OPENING GATE CODES 5 OR 6, WITH OR W/O GATE OPERATOR.
 DRAWING ⑤ SHOWS PASS THRU CABS WITH OPERATORS AND MINIMUM OVERHEAD.
 DRAWING ⑥ SHOWS PASS THRU CABS WITHOUT OPERATORS.
- IF THE AVAILABLE OVERHEAD IS AT LEAST 8" MORE THAN THE MINIMUM REQUIRED PER NOTE 4, DRAWING & TABLE ⑥ CAN BE USED IN PLACE OF DRAWING & TABLE ⑤ FOR PASS THRU CABS WITH GATE OPERATORS.
- ALL DIMENSIONS ARE IN INCHES.

INCLINATOR GATE CODES (SHOWN FOR REFERENCE)

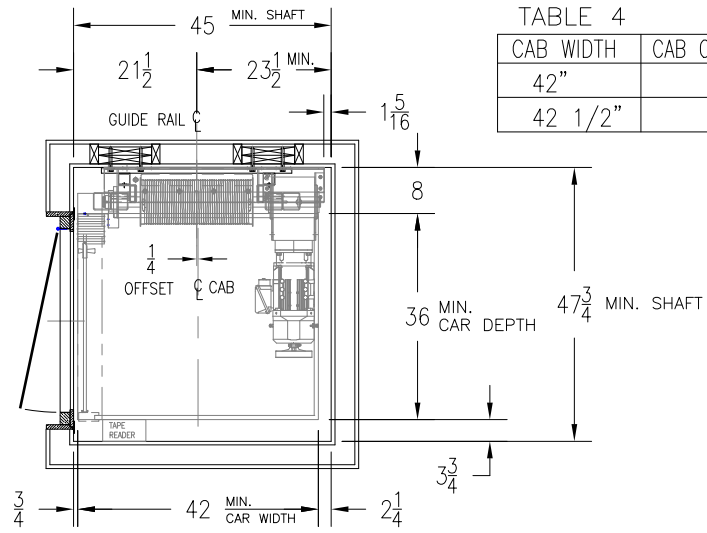


MATERIAL SPEC.		PAGE NUMBER		1 OF 2	
			DRAWING TITLE		DWG. DATE
			MINIMUM SHAFT & CAB DIMENSIONS OHCD ELEVATOR W/SUMITOMO DRIVE		1/21/2021
					DRAWING NO.
					25211792
DRAWN	CHECKED	DESIGNED	APPROVED	INITIAL ECN	DWG. SCALE
BWW					NONE
					REV. LEVEL
					D

4

GATE CODES 5 & 6
WITH OR W/O GATE OPERATOR

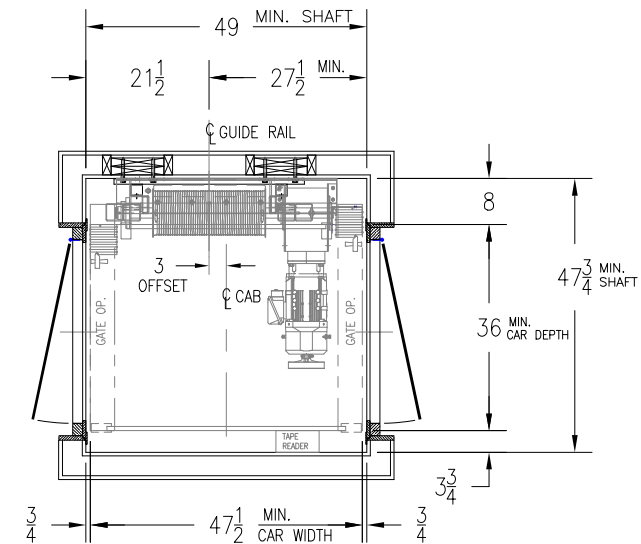
CAB WIDTH	CAB OFFSET REQUIRED
42"	1/4"
42 1/2"	0



5

GATE CODES 4,5 or 3,6
WITH GATE OPERATORS
AND MINIMUM OVERHEAD

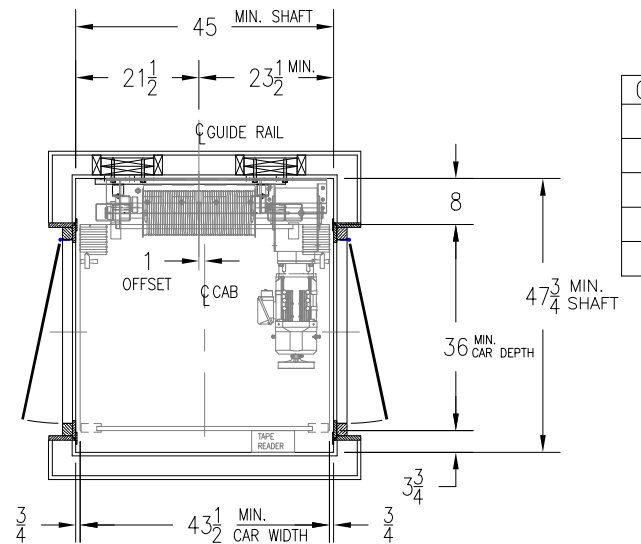
CAB WIDTH	CAB OFFSET REQUIRED
47 1/2"	3"
48"	2 3/4"
48 1/2"	2 1/2"
49"	2 1/4"
49 1/2"	2"
50"	1 3/4"
50 1/2"	1 1/2"
51"	1 1/4"
51 1/2"	1"
52"	3/4"
52 1/2"	1/2"
53"	1/4"
53 1/2"	0



6

GATE CODES 4,5 or 3/6
W/O GATE OPERATORS

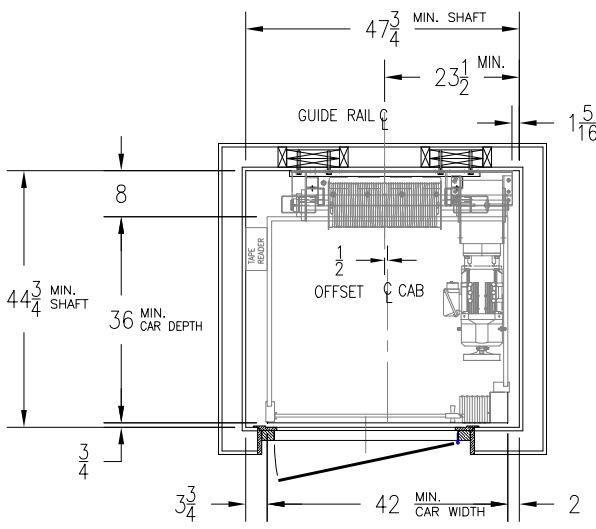
CAB WIDTH	CAB OFFSET REQUIRED
43 1/2"	1"
44"	3/4"
44 1/2"	1/2"
45"	1/4"
45 1/2"	0



1

GATE CODES 1 & 2
WITH OR W/O GATE OPERATOR

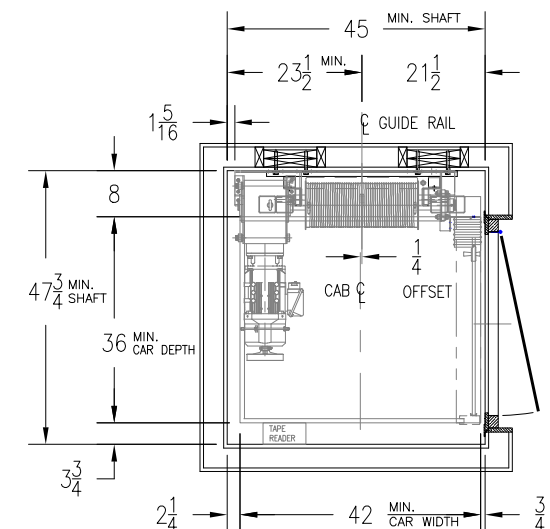
CAB WIDTH	CAB OFFSET REQUIRED
42"	1/2"
42 1/2"	1/4"
43"	0



2

GATE CODES 3 & 4
WITH GATE OPERATOR
AND LH DRIVE ASSEMBLY

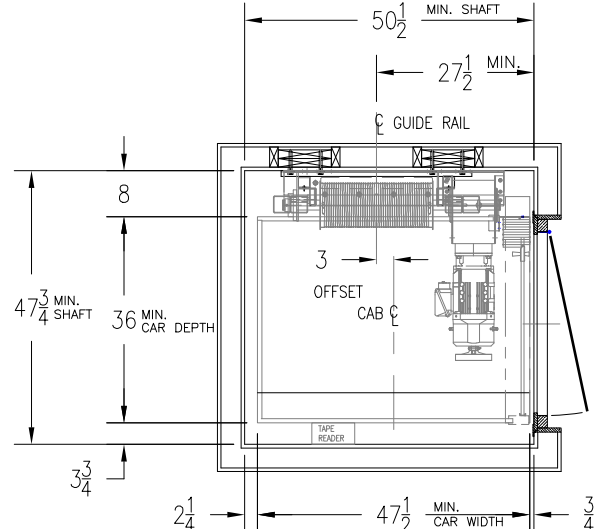
CAB WIDTH	CAB OFFSET REQUIRED
42"	1/4"
42 1/2"	0
47 1/4"	0



3

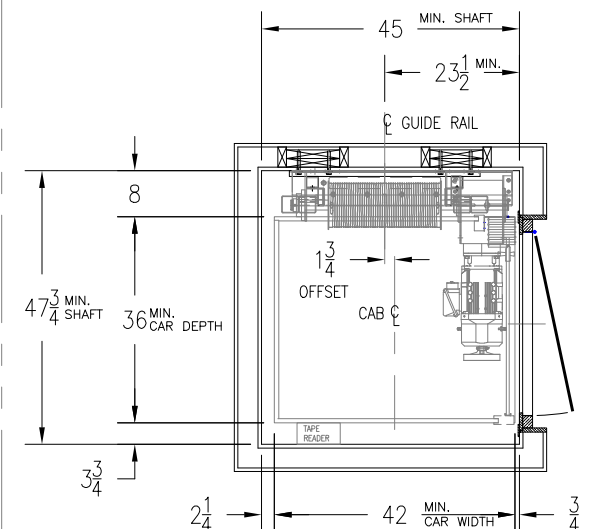
GATE CODES 3 & 4
W/O GATE OPERATORS

CAB WIDTH	CAB OFFSET REQUIRED
42"	1 3/4"
42 1/2"	1 1/2"
43"	1 1/4"
43 1/2"	1"
44"	3/4"
44 1/2"	1/2"
45"	1/4"
45 1/2"	0



GATE CODES 3 & 4
WITH GATE OPERATOR
AND RH DRIVE ASSEMBLY

SEE TABLE 5 FOR CAB WIDTH / OFFSET REQUIRED



MATERIAL SPEC.		PAGE NUMBER	
		2 OF 2	
		DRAWING TITLE	
		MINIMUM SHAFT & CAB DIMENSIONS OHCD ELEVATOR W/SUMITOMO DRIVE	
DRAWN	CHECKED	DESIGNED	APPROVED
BWW			
DWG. DATE		DRAWING NO.	
1/21/2021		25211792	
DWG. SCALE		REV. LEVEL	
NONE		D	